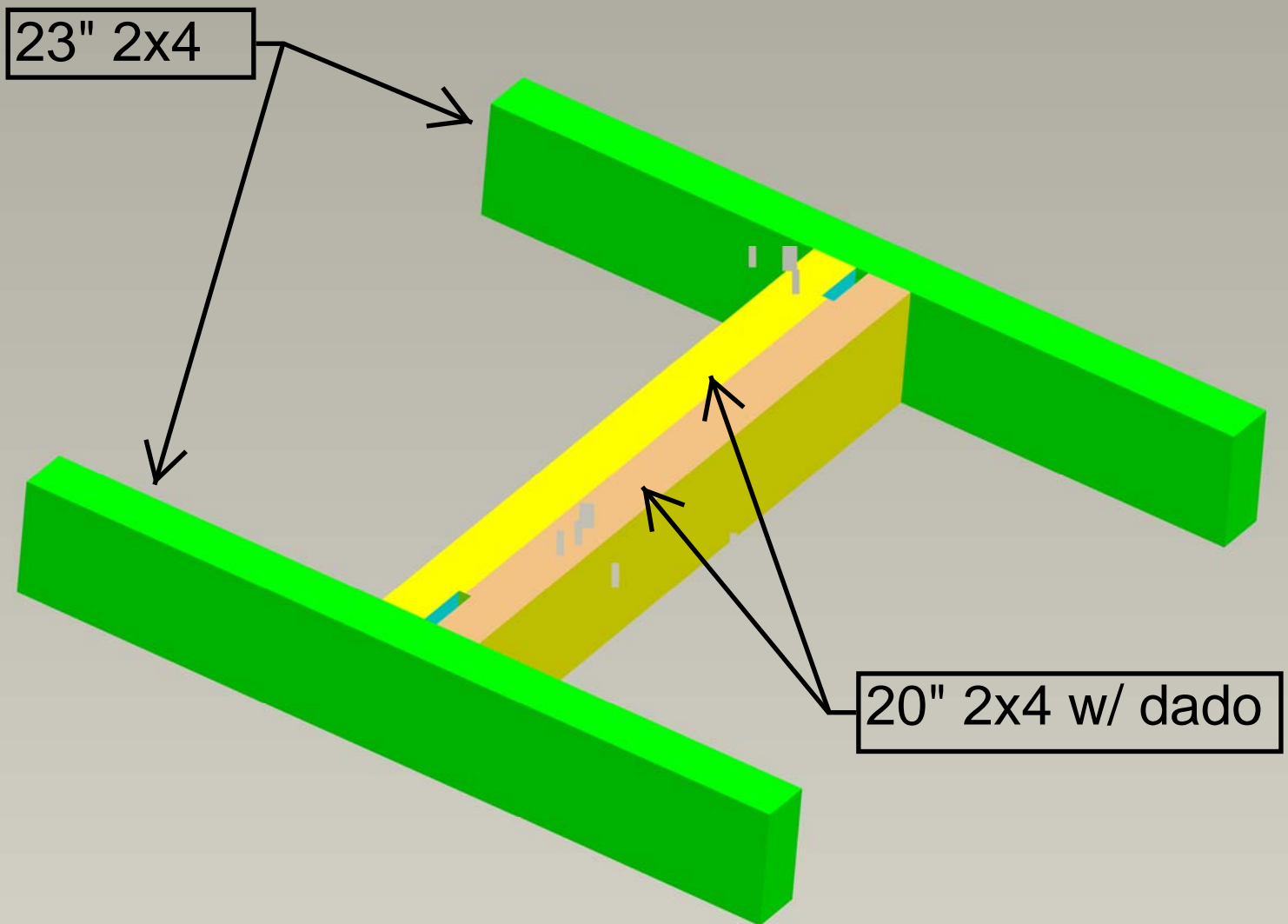


# Target Stand Base

Built from a single 2 x 4



X.X+0.0  
X.XX+0.00  
X.XXX+0.000  
ANG.+0.0